

DOCKING STATION NW 200



The **docking station type NW 200** is used for loading small component bins with dry, free flowing bulk solids.

- Installation friendly, compact loader head with air exhaust socket (diameter Ø 100/108 mm), 2 pneumatic cylinders (diameter: Ø 100 mm), solenoid valve 230 V/AC, terminal box.
- Conical **inlet- and outlet-buckets** made of steel 37-2 (4 mm wall thickness).
- The **rubber bellows** consists of highly abrasion proof neoprene Hypalon coated with polyester canvas and clip steel rings.

- After rust removal SA 2,5, a primer and top coat with hammer tone gray.

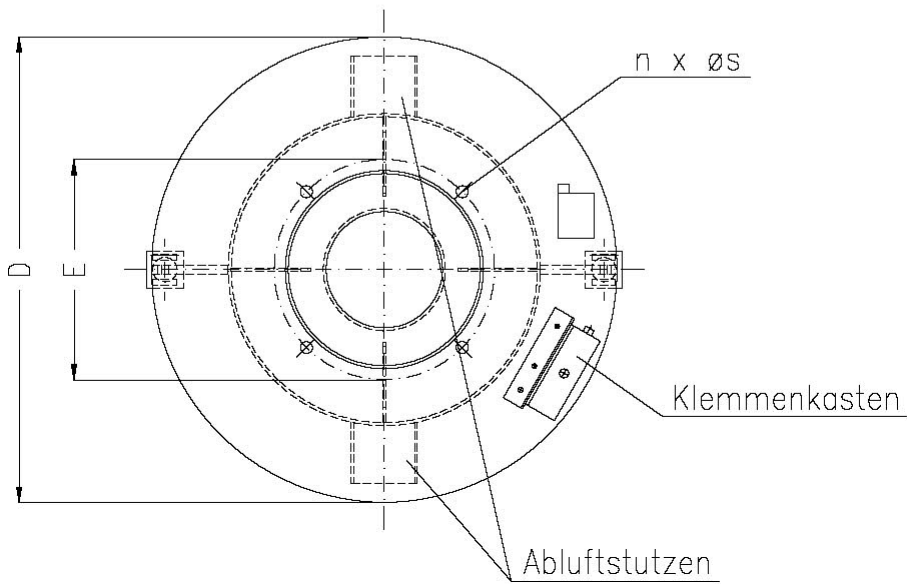
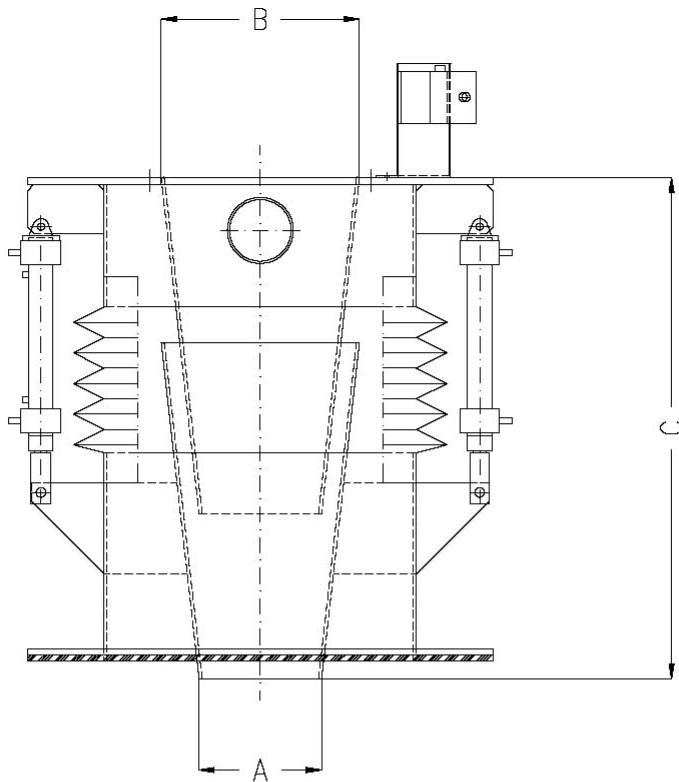
Areas of Application

Details / Explanation

Finish

NW 200

Scale Drawing
Overview



Technical Data NW 200

Type NW 200		200
Loading capacity		100 m ³ / h
Nominal diameter	A	200 mm
Inlet cross section	B	Ø 300 mm
Construction height	C	1395 mm
Lift length		440 mm
Weight		approx. 120 kg
Operating pressure		6 bar
Flange diameter	D	Ø 760 mm
Hole circle diameter	E	4 x M16 / hole circle diameter 360 mm

Article Number

Type NW 200	Article number
	751 10 302

Other nominal diameters and design on request!